

# 70W LED Full Cutoff Wall Pack

## ■ Product Pictures



- Lumileds LED, high luminous efficiency and long working life.
- High efficiency LED Driver, the wide range input voltage AC100-277V and AC200-480V.
- Cast aluminium cooling design better cooling, light quality, LED  $T_j < 85^{\circ}\text{C}$ .
- Excellent Optics design, greatly improved the light utilization and evenness.
- Photocell Control Available (Option)



## ■ Product Applications

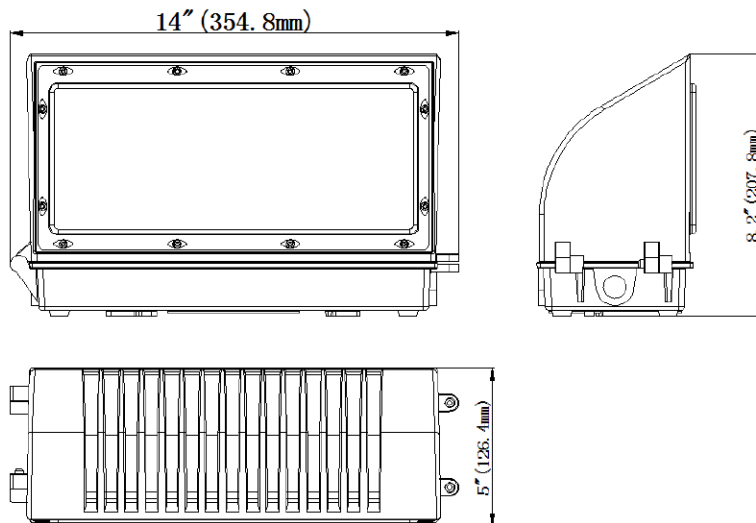
WSD LED FULL CUTOFF WALL PACK Lighting series can be widely used in indoor or outdoor lighting (Wet location)

## ■ Product Certifications



## ■ Structure Features

- Shell materials: Aluminum & PC .
- Finish: Dark Bronze.
- Net weight: 3.00kgs (6.61 lbs) Unit: inch(mm)



## ■ Technical Parameters

Type			
Power	70W	Lighting Angle	60*90°
Input Voltage	AC100-277V	LED Brightness Decay	<5%/6000 hrs
PF	>0.95	Working Life	>50000 hrs
Driver Efficiency	>90%	Working Temperature	-30 - +45°C
Luminous Flux	7200 Lm	Storage Temperature	-40 -+80°C
Color Temperature	3000K/4000K/5000K/6500K	Protection Level	Wet Location/IP65
CRI	Ra>80	Cable	Input Connect, No cable

**Remark:** “Z” may be D or W represented color,

“Y” may be “P12”, “P27” or blank represented type of photoelectric Switches.

## ■ Light Distribution Curve (Clear Lens)

