

1

2

3

4

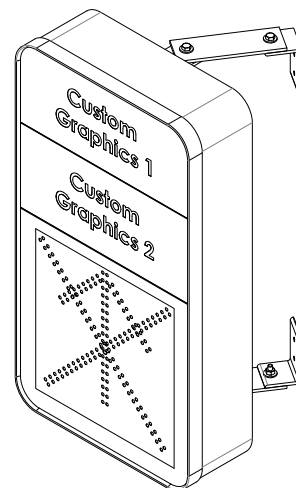
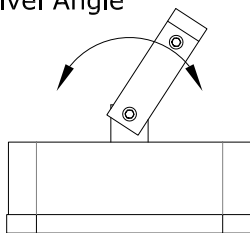
A

B

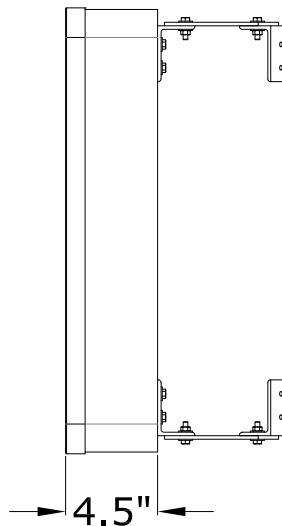
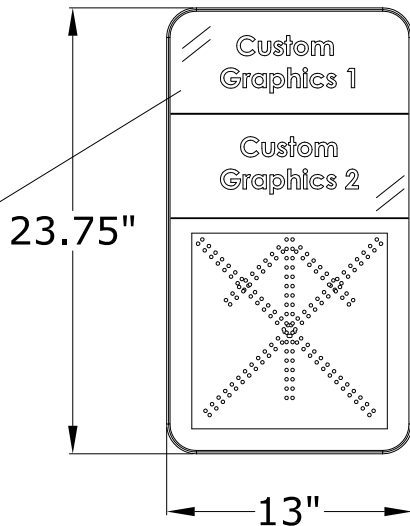
C

D

Swivel Angle



Chemical resistant Acrylic face with full color image



Lighting Options



Aluminum used: Structural components are made of Alloy 6061-T6 / Shell Is made out of 3105-H14 baked enamel.

	NAME	SIGNATURE	DATE	ACCESSORIES	QTY.
DRAWN	GHA		09/20/13	LPV-60-12	2
CHK'D	ISM		09/20/13	SSF12	2
APPV'D	ISM		09/20/13		
REV.	1				



TSS INC.

11450 STEPHENS RD, WARREN, MI 48089 1-800-682-7446 www.tsscws.com

TITLE:
FLASHING SLIM LED ARROW / X TRAFFIC FIXTURE WITH 2 SECTIONS (SWIVEL MOUNT)

Part Number:
TR13X24LS



REQUIRED POWER:
- 100-240VAC, 1.5 AMPS per section.
- This is a sectional sign.

SCALE: 1:10

SHEET 1 OF 1