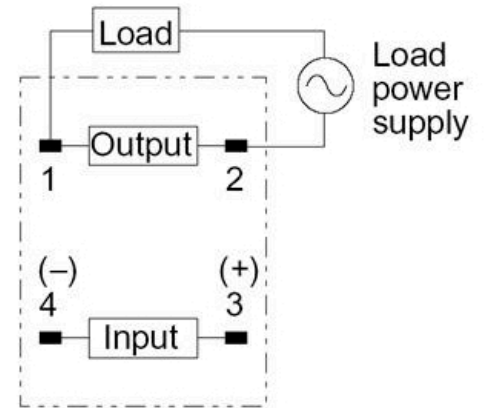




## SOLID STATE RELAY PART # DCR



### PRODUCT CLASSIFICATION

SOLID STATE RELAY FOR HEATER CONTROL

OPERATING RATED VOLTAGE 5 TO 24 VDC

OPERATING VOLTAGE RANGE 4 TO 32 VDC

INPUT IMPEDANCE 7 MA MAX.

(AT 25 CEL)

MUST OPERATE VOLTAGE 4 VDC MAX.

MUST RELEASE VOLTAGE 1 VDC MIN.

ISOLATION PHOTOTRIAC

OUTPUT FORM SPST-NO

RATED LOAD VOLTAGE 24 TO 240 VAC (50/60HZ)

LOAD VOLTAGE RANGE 19 TO 264 VAC (50/60HZ)

LOAD CURRENT AC: 0.1 A TO 10 A (WITH HEAT SINK (AT 40 CEL))

AC: 0.1 A TO 4 A (WITHOUT A HEAT SINK (AT 40 CEL))

INRUSH CURRENT RESISTIVITY AC: 150 A (60HZ 1 CYCLE)

OUTPUT ON VOLTAGE DROP 1.6V(RMS) MAX.

LEAKAGE CURRENT 5MA MAX. (AT 100VAC)

10MA MAX. (AT 200VAC)

AMBIENT TEMPERATURE OPERATING: -30 TO 80 CEL

STORAGE: -30 TO 100 CEL

(WITH NO ICING OR CONDENSATION)

AMBIENT HUMIDITY OPERATING: 45 TO 85% RH

(WITH NO ICING OR CONDENSATION)

### CHARACTERISTICS

OPERATE TIME 1/2 CYCLE OF LOAD POWER SOURCE + 1MS MAX.

RELEASE TIME 1/2 CYCLE OF LOAD POWER SOURCE + 1MS MAX.

PROTECTION FOR OUTPUT VARISITOR AND SNUBBER

ZERO CROSS FUNCTION PROVIDED

INDICATOR EQUIPPED

INSULATION RESISTANCE BETWEEN INPUT TO LOAD: 100 M OHM MIN. (AT 500 VDC)

BETWEEN HEAT SINK TO INPUT/OUTPUT TERMINALS: 100 M OHM MIN. (AT 500 VDC)

DIELECTRIC STRENGTH BETWEEN INPUT TO LOAD: 2500 VAC 50/60 HZ FOR 1 MIN

BETWEEN HEAT SINK TO INPUT/OUTPUT TERMINALS: 2500 VAC 50/60 HZ FOR 1 MIN

VIBRATION RESISTANCE 10 TO 55 TO 10HZ 0.75MM SINGLE AMPLITUDE

(1.5MM DOUBLE AMPLITUDE)XYZ DIRECTIONS FOR 2HRS EACH

SHOCK RESISTANCE 1000M/S2 EACH XYZ'Y'Z' DIRECTIONS FOR 3 TIMES

APPLICABLE STANDARD (UL) STANDARD NO.: UL508, UL1950

FILE NUMBER: NO.E64562

APPLICABLE STANDARD (CSA) STANDARD NO.: C22.2 NO.14, C22.2 NO.950

FILE NUMBER: NO.LR35535

TERMINAL STRUCTURE SCREW

TERMINAL STRENGTH (CLAMP TORQUE) INPUT TERMINAL: RECOMENDABLE FASTEN

TORQUE M4: 0.98 TO 1.47N.M

OUTPUT TERMINAL: RECOMENDABLE FASTEN TORQUE M4: 0.98 TO 1.47N.M

MOUNTING SCREW, PANEL, PANEL(DIN TRACK)

WEIGHT APPROX. 60 G