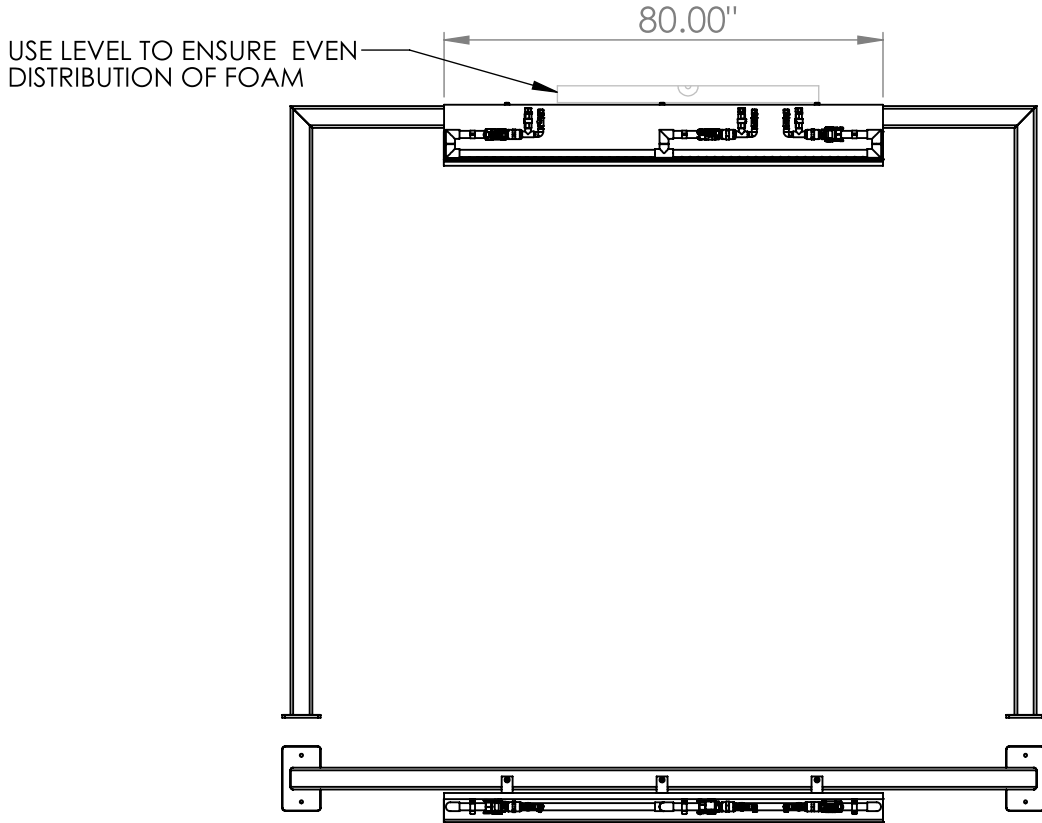
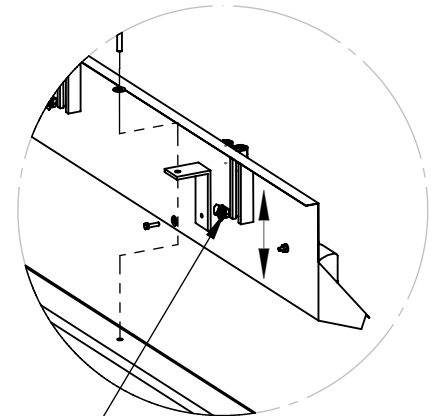
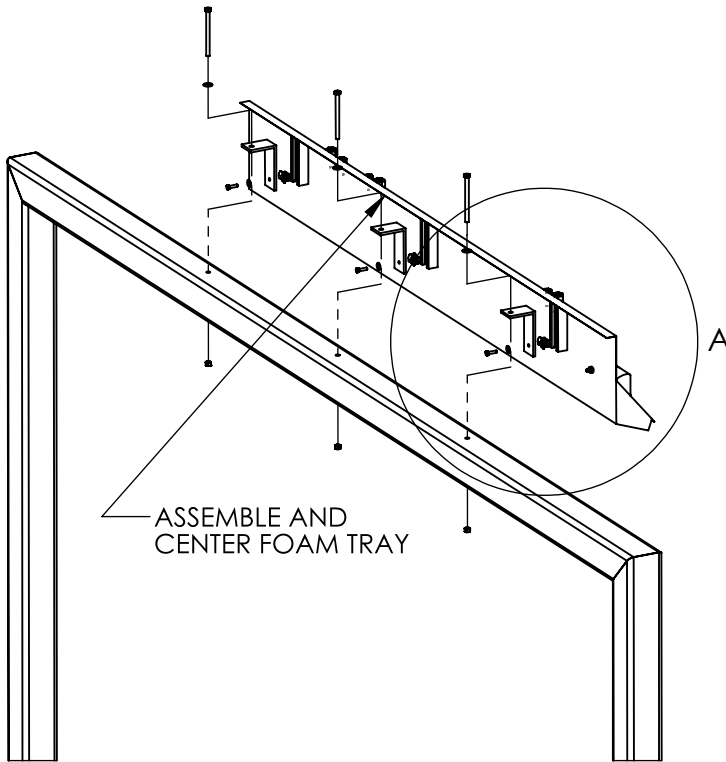


FOAMING TRAY DIRECT ARCH MOUNT, RECTANGULAR ARCH



TOP VIEW



DETAIL A

BACK STAINLESS STEEL STRUT AND LOCK NUT TO LEVEL FOAM TRAY AND ADJUST HEIGHT

	NAME	DATE
DRAWN	RCK	
CHECKED	ISM	
ENG APPR.	ISM	
MFG APPR.		
Q.A.		

COMMENTS:

FOAM TRAY DIRECT MOUNT



TSS INC.
 www.tsscws.com
 11450 STEPHENS RD
 WARREN, MI 48089
 1800-682-7446

SIZE	DWG. NO.	REV.
A		A
SCALE: 1:50	WEIGHT:	SHEET 1 OF 1