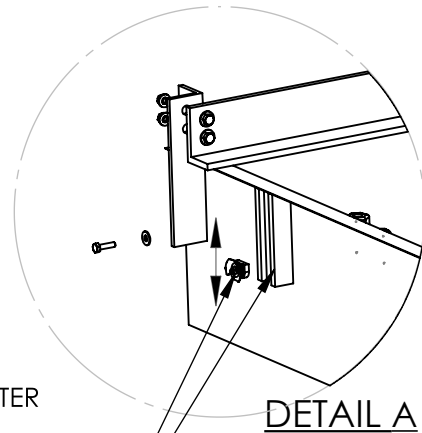
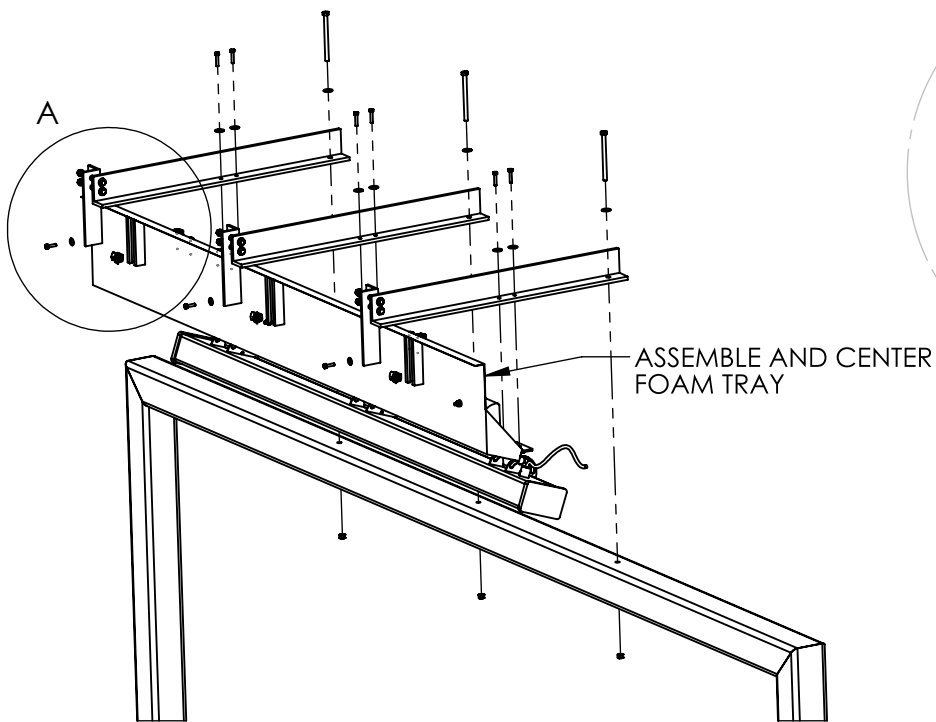
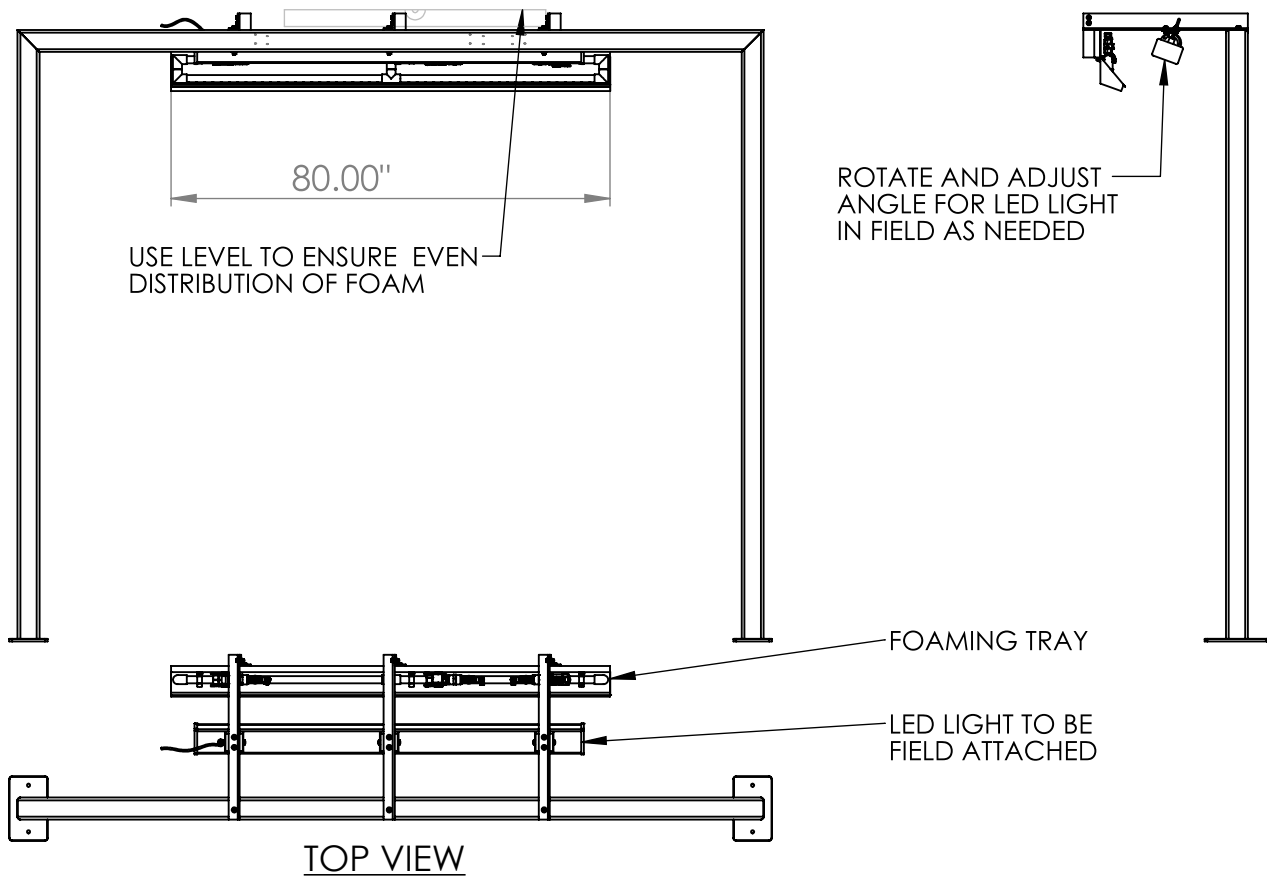



FOAMING TRAY WITH LED LIGHT ASSEMBLY



STAINLESS STEEL STRUT AND LOCK NUT TO LEVEL FOAM TRAY AND ADJUST HEIGHT

	NAME	DATE	
DRAWN	RCK		FOAM TRAY & LED LIGHT ASSMBLY
CHECKED	ISM		
ENG APPR.	ISM		
MFG APPR.			
Q.A.			
COMMENTS:			



TSS INC.
www.tsscws.com
 11450 STEPHENS RD
 WARREN, MI 48089
 1800-682-7446

SIZE	DWG. NO.	REV.
A		A
SCALE: 1:50	WEIGHT:	SHEET 1 OF 1