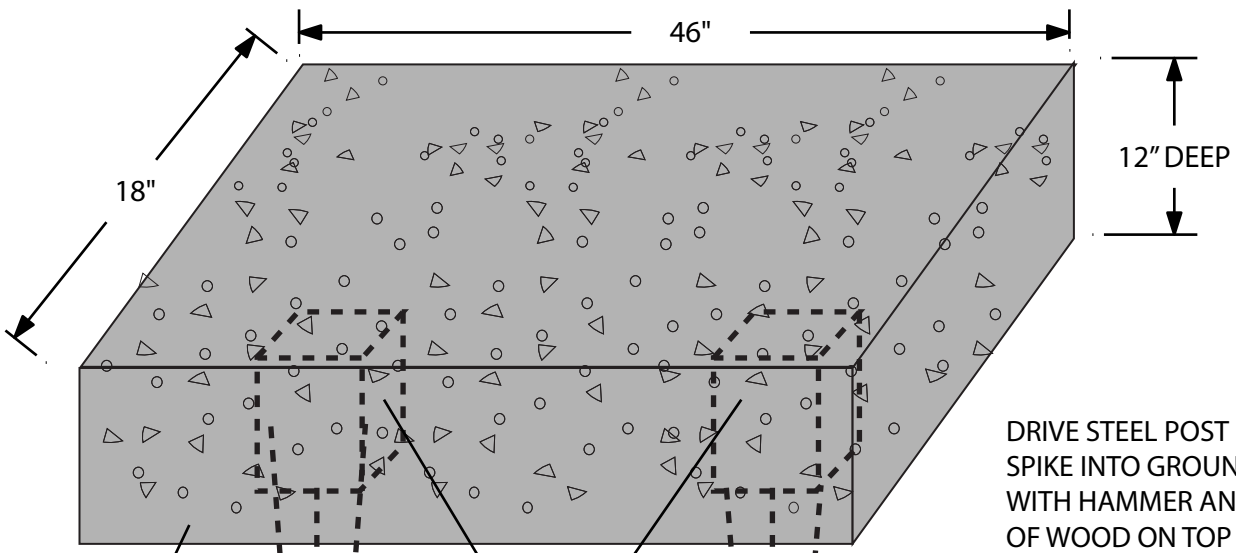
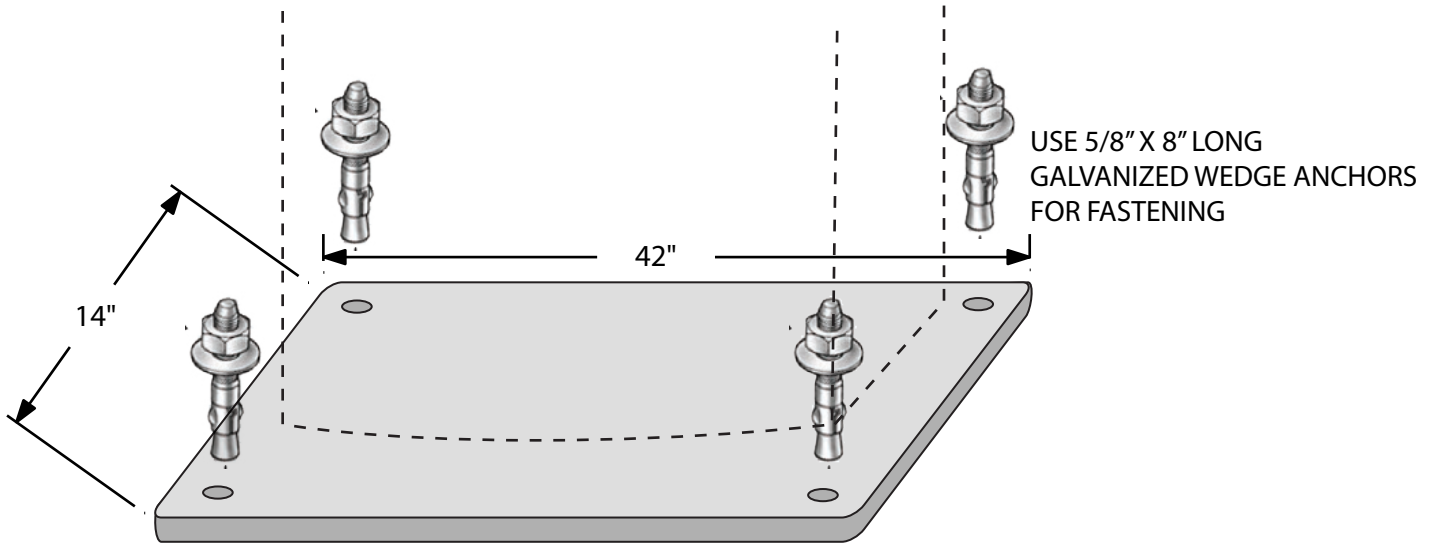


SUGGESTED FOUNDATION FOR MENU TOWER

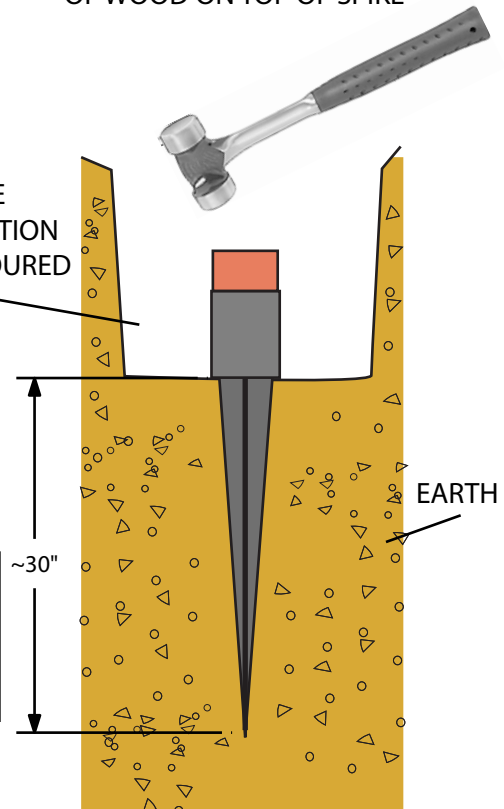


FOUNDATION-GRADE CONCRETE

TOP OF STEEL POST SPIKE IS IMMERSED IN THE FOUNDATION

DRIVE STEEL POST SPIKE INTO GROUND WITH HAMMER AND BLOCK OF WOOD ON TOP OF SPIKE

CONCRETE FOUNDATION TO BE POURED HERE



COST-SAVING MEASURE: THESE SPIKES ARE INTENDED TO ADD STRENGTH TO YOUR FOUNDATION WITHOUT THE NEED OF A DEEPER CONCRETE FOUNDATION. THEY ARE AVAILABLE AT HOME DEPOT AND MOST HARDWARE STORES.

***PLEASE CALL MS. DIG PRIOR TO DIGGING ANY HOLES OR FOUNDATION!**