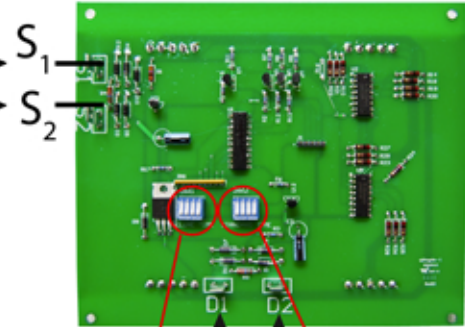
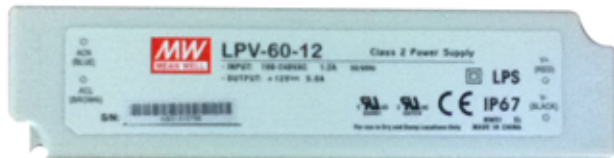




# WIRING FOR COUNTDOWN FIXTURE

Input 120 VAC  
Output 12VDC  
Transformer

120 VOLT AC input



OR

This comes factory-wired to the standard time side of the countdown board which has a maximum setting of 70 seconds.

If you need more drying time, then you must disconnect wires connected to S1 and S2 and connect them to D1 and D2 (Deluxe time), which has a maximum setting of 90 seconds.

**DELUXE TIME**

ON

|   |   |   |   |
|---|---|---|---|
| ● | ● | ● | ● |
| ↑ | ↑ | ↑ | ↑ |
| 1 | 2 | 3 | 4 |

ADDS 15 SECONDS  
ADDS 10 SECONDS  
ADDS 15 SECONDS  
ADDS 10 SECONDS

DEFAULT TIME  
40 SECONDS

**STANDARD TIME**

ON

|   |   |   |   |
|---|---|---|---|
| ● | ● | ● | ● |
| ↑ | ↑ | ↑ | ↑ |
| 1 | 2 | 3 | 4 |

ADDS 15 SECONDS  
ADDS 10 SECONDS  
ADDS 15 SECONDS  
ADDS 10 SECONDS

DEFAULT TIME  
20 SECONDS

Maximum time setting is **90 seconds**.

Maximum time setting is **70 seconds**.