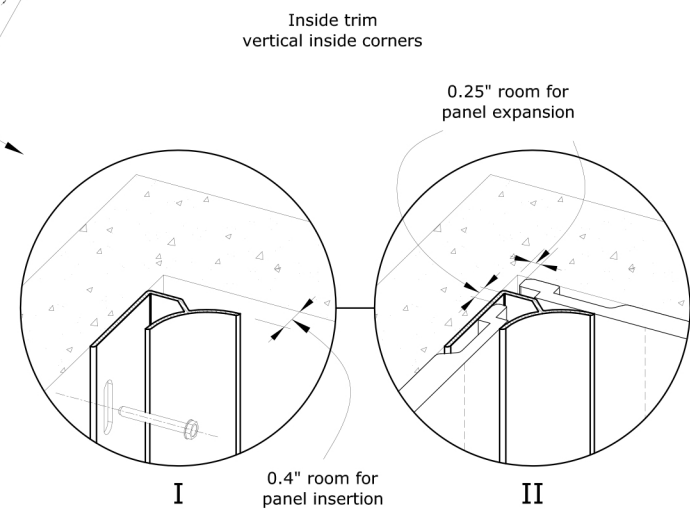
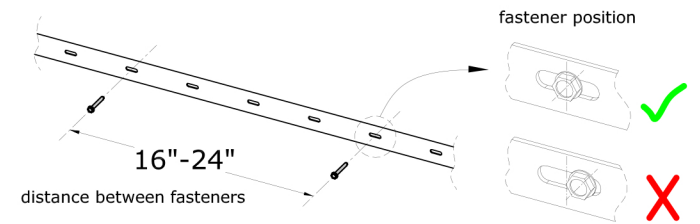


3"-4" suggested from ground level to avoid sitting water and prevent mildew buildup behind panels

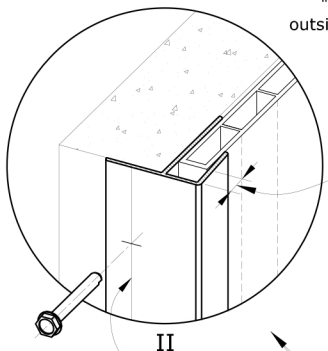


**Panels & trims are fastened with the same intervals shown below. Recommended types of fasteners on page ??**



**FLOOR TO CEILING PANEL INSTALLATION**

"F" trim  
outside corners



0.25" room for  
panel expansion

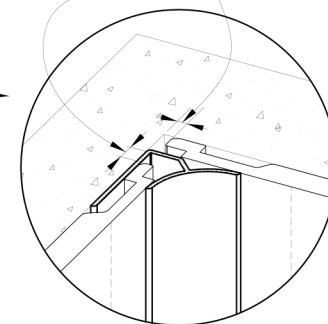
II

Fasten F trim using the outer score line  
when it is not possible to use the nail fin.

**STARTING POINT  
in corner**

Inside trim  
vertical inside corners

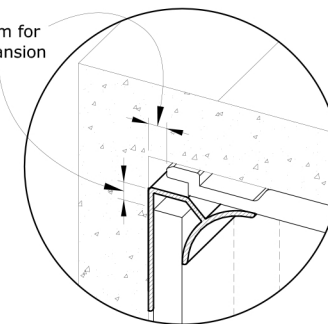
0.25" room for  
panel expansion



II

Inside trim  
top of panels  
below ceiling

0.25" room for  
panel expansion

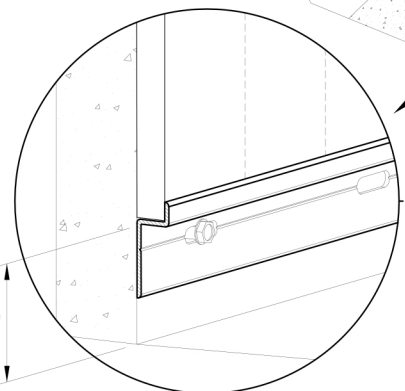


II

ENTRANCE OF EXIT

1 1 2 3 4 5 6 7 8

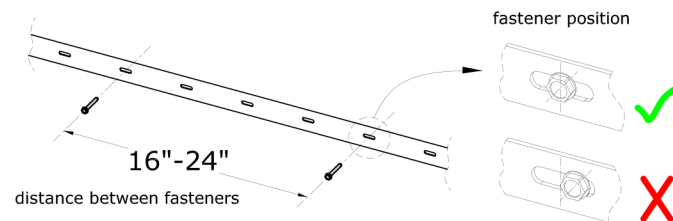
drip trim  
base board



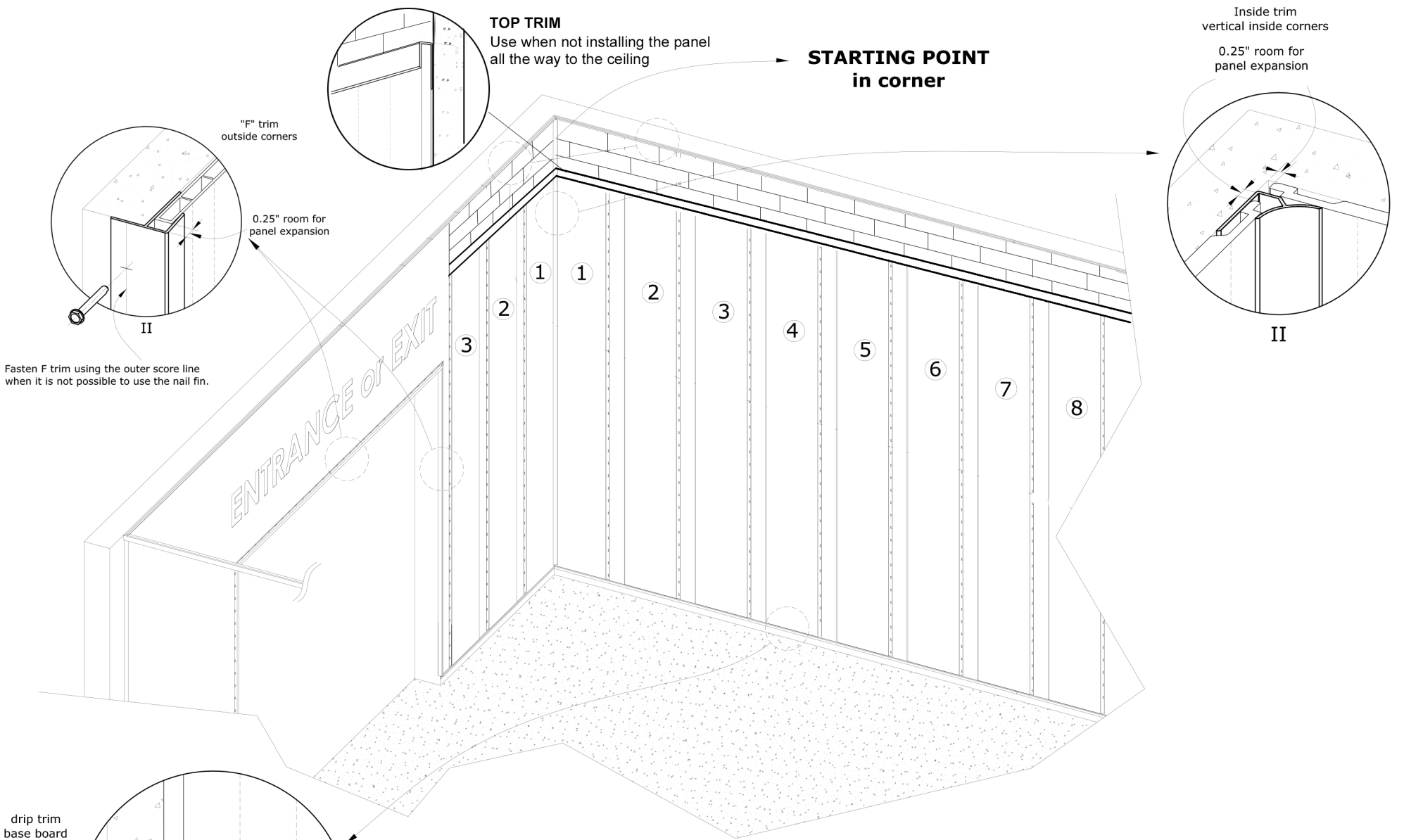
3" to 4"

3"-4" suggested from ground level to avoid sitting water and  
prevent mildew buildup behind panels

**Panels & trims are fastened with the same intervals shown below.  
Recommended types of fasteners on page ??**



**FLOOR TO CEILING PANEL INSTALLATION**



Fasten F trim using the outer score line when it is not possible to use the nail fin.

drip trim base board

3" to 4"

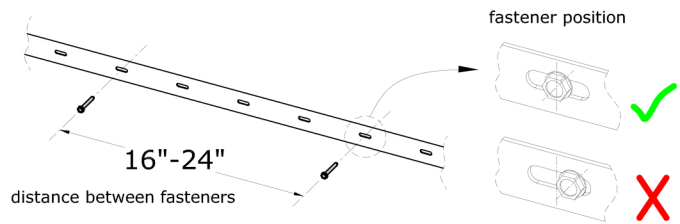
3"-4" suggested from ground level to avoid sitting water and prevent mildew buildup behind panels

**TOP TRIM**  
Use when not installing the panel all the way to the ceiling

**STARTING POINT**  
in corner

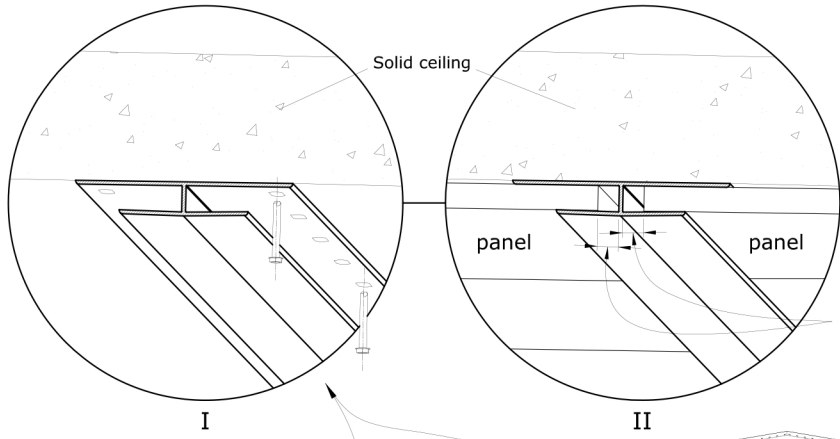
Inside trim vertical inside corners  
0.25" room for panel expansion

**Panels & trims are fastened with the same intervals shown below. Recommended types of fasteners on page ??**

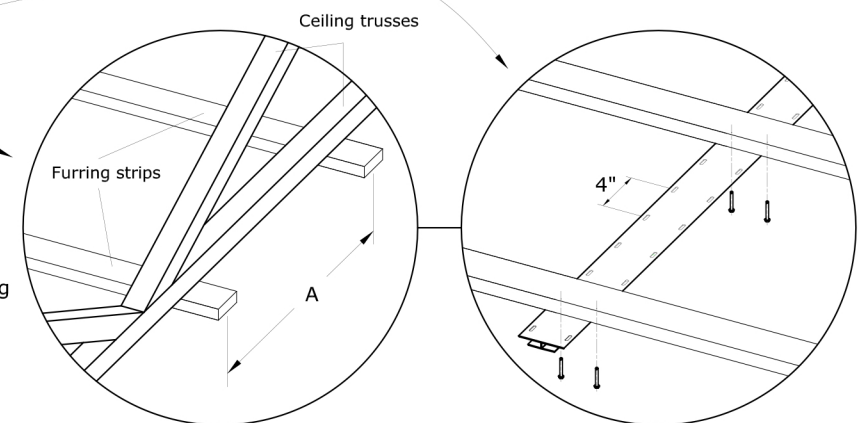
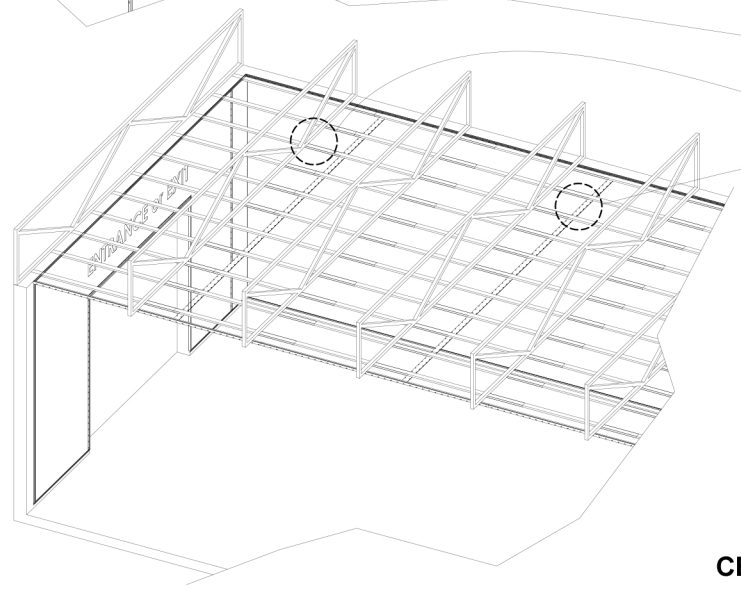
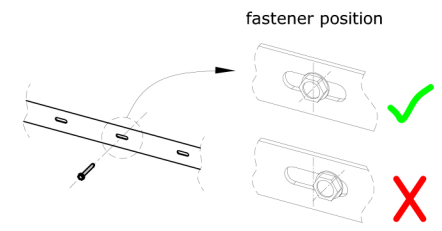
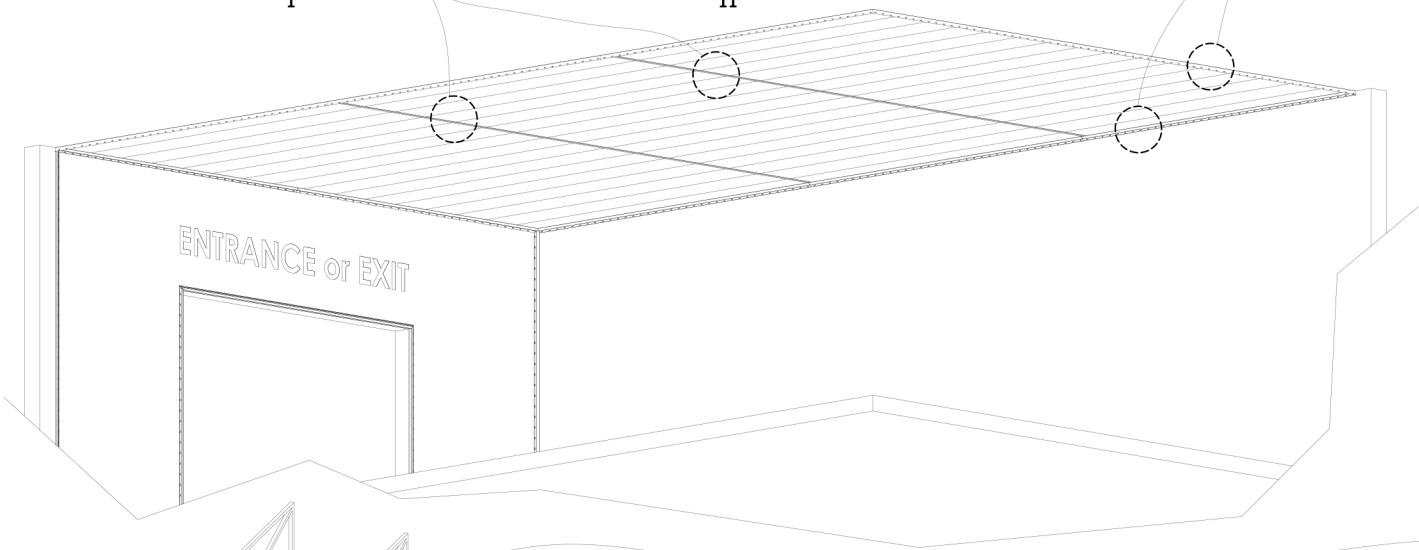
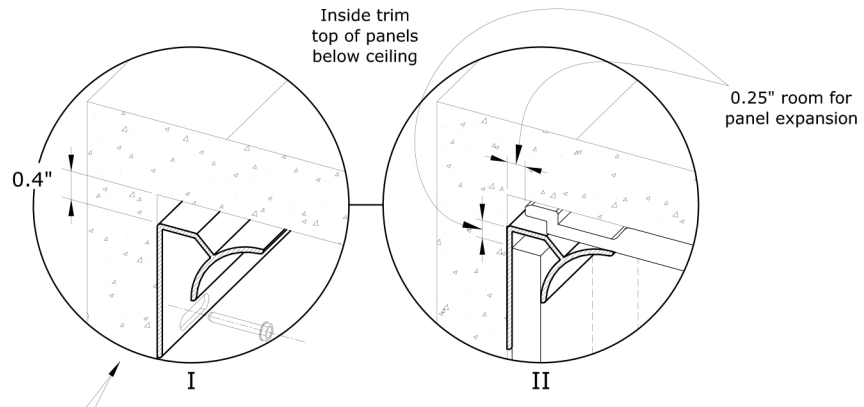


**PANEL INSTALLATION WHEN NOT GOING TO THE CEILING**

- Solid ceiling: fasten directly
- Truss-like ceiling, fasten to the trusses or add furring at 16"-24" o.c.



0.25" room for panel expansion



"A" is the distance between furring strips in multiples of 4" (distance between slots of nailing fins).  
 "A" shall **not** exceed 24".

**CEILING PANEL INSTALLATION**