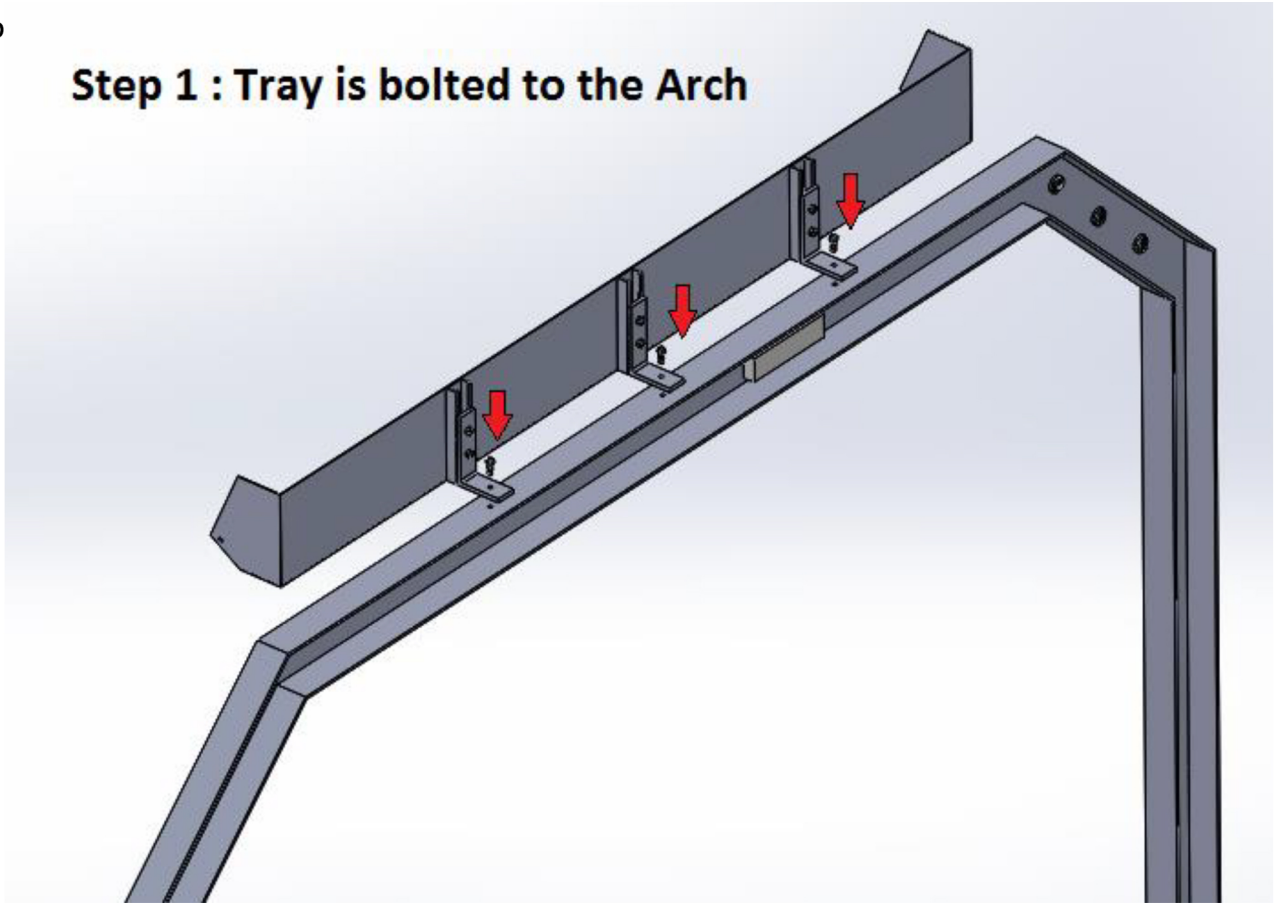




ASSEMBLY SHEET FOR WATER WAVE RINSE TRAY

11450 STEPHENS RD
WARREN, MI 48089
800-682-7446
www.tsscws.com

Step 1 : Tray is bolted to the Arch



Step 2 : Sign is mounted on the Tray

