

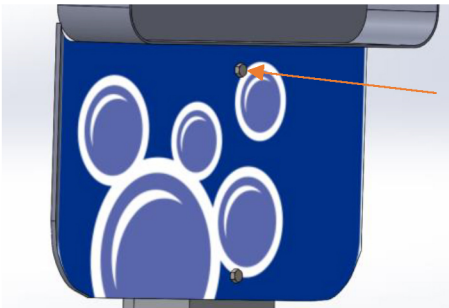


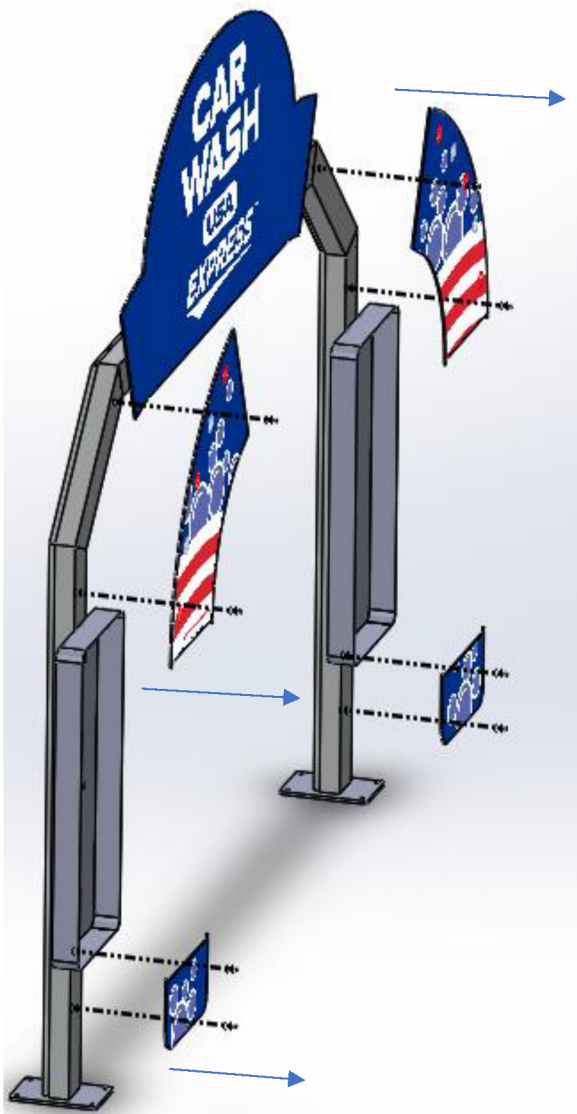
INSTRUCTION FOR PANEL REPLACEMENT

Removing old Panels



- Remove the old bolts and take out the panels.



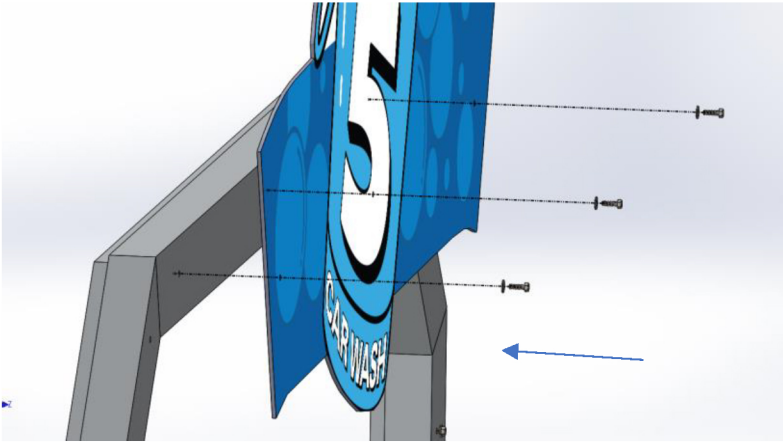


- Same with the top.

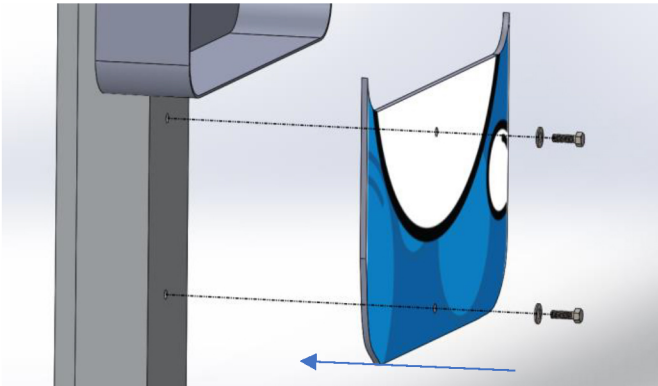


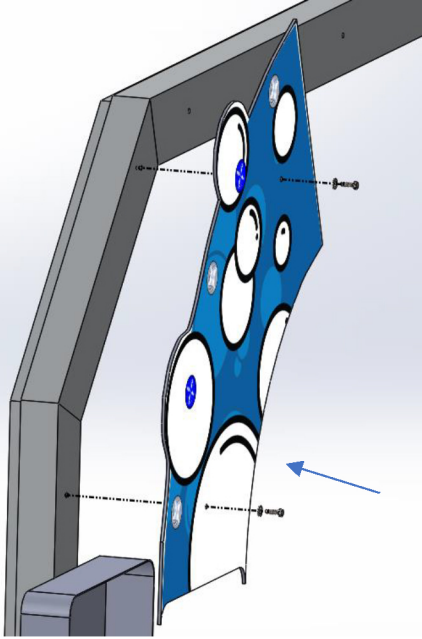
Installing new Panels

- Using the same bolts from the old panels.
- Bolt the top panel in place by the holes provided in the panels.

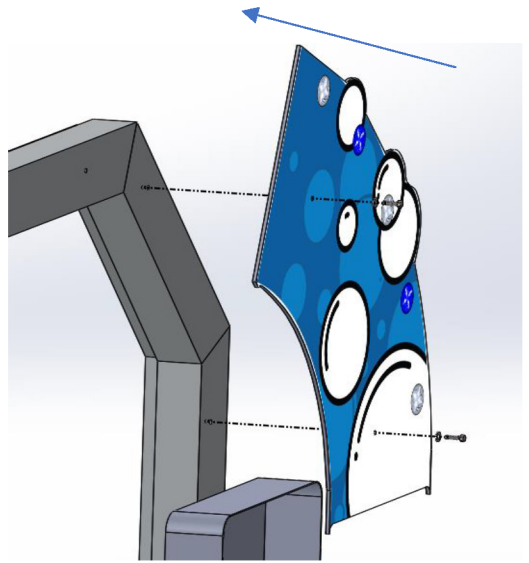


- Do the same for the bottom panels. As you can see below





Left side



Right side

- Replace the face of the cabinet.



